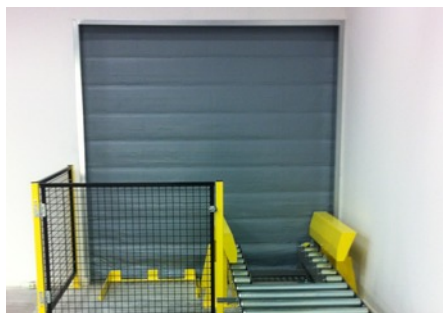




FIRESCREEN FEEL SAFE

FIRESCREEN® TEMPERATURE T2 (EI60)



- ▶ 60 minutes fire resistant
- ▶ Thermal insulation temperature ΔT 140°C
- ▶ Heat radiation $< 1 \text{ kW/m}^2$
- ▶ Tested in accordance with EN 1634-1
- ▶ Tested in accordance with EN 13501-1
- ▶ Compact design
- ▶ Lightweight material

Operation

Firescreen® is connected to the fire alarm system or equipped with smoke detectors, so that in case of fire alarm, the screen closes automatically.

Standard specifications

Installation:	In the clear opening.
Application:	Isolation without sprinklers, realization of an evacuation route and meets the requirements of a firewall.
Purpose:	Fire curtain only closes in the event of a fire alarm.
Fire resistance:	Tested in accordance with EN 1634-1; meets the following criteria; <ul style="list-style-type: none"> - Integrity E - Thermal insulation temperature both I_1 and I_2 - Heat radiation W
Reaction to fire:	Tested in accordance with EN 13501-1; B, S1, d0
Max. size:	5000x4000mm (wxh)
Material:	Technical textile, having a silicone-based smoke-tight grey coating, filled with a material that will froth under fire.
Fabric thickness:	Total thickness 13 mm.
Fabric weight / m ² :	9 kg per m ² .
Side guides + headbox:	Sendzimir zinc coated steel.
Bottom bar	Steel bar.

Closing in the event of power failure:

- GFS (Gravity Fail Safe).
The curtain descends by gravity in the event of a power failure.
- EFS (Electrical Fail Safe).
The curtain descends by backup battery power in the event of a power failure.

Firescreen® Control and Smart® Control

The control panel has also been provided with option for connection to the fire alarm system (BMC) and has LED indicators for:

- Power
- Active fire signal
- Maintenance
- Battery power (only with Firescreen® Control)

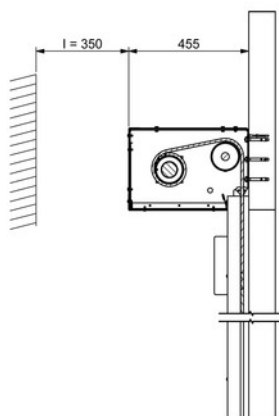
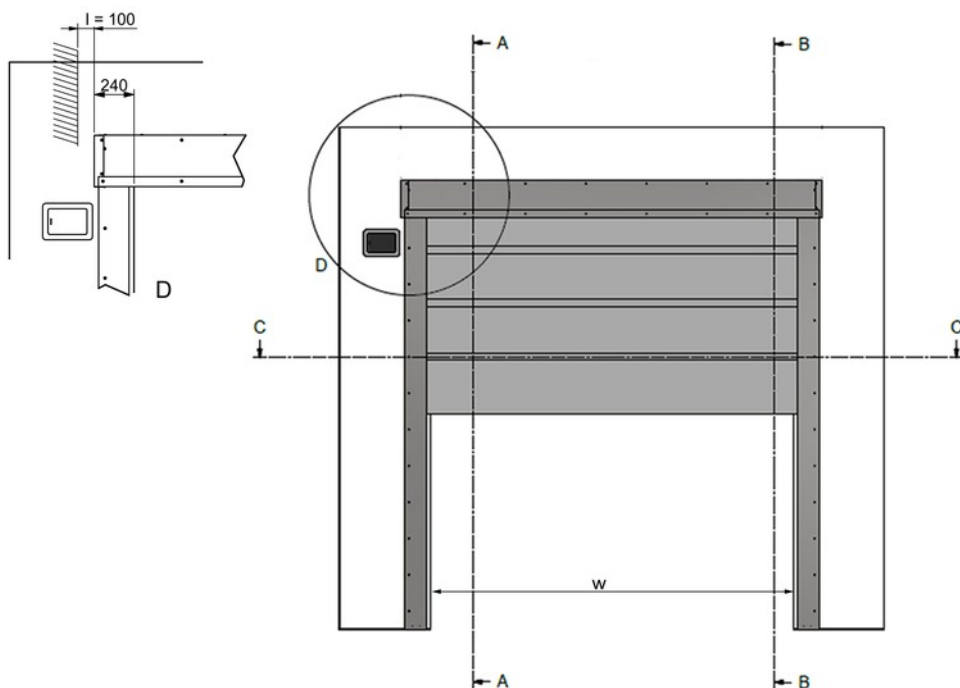
Options

- Powder coating: Side guides, headbox and consoles in desired RAL colour.
- Emergency button (EFS)
- Smoke detectors (optional)
- Lights and sounders (optional)
- Standalone LED display (optional)
- 24V power pack (GFS) prevents the screen from closing in the case of a brief power failure.

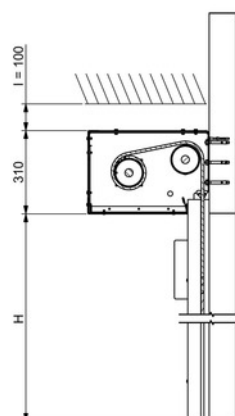
Other available types

Firescreen® T1 - EI 30, Firescreen® T3 - EI 90, Firescreen® T4 - EI 120

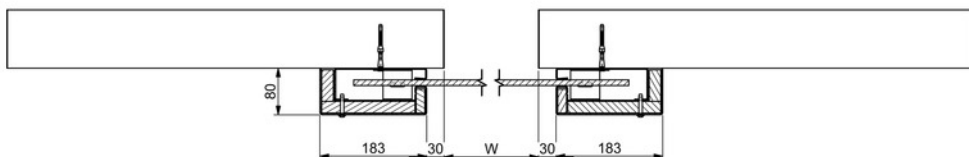
FIRESCREEN® TEMPERATURE T2 (EI60)



A-A



B-B



C-C

I:	Mounting space	Montageraum	Espace de montage	Montageruimte
H:	Free passage height	Lichte openingshöhe	Hauteur de passage libre	Dagmaat hoogte
W:	Free passage width	Lichte openingbreite	Largeur de passage libre	Dagmaat breedte



THERMAX

THERMAX Contracting Services Limited

18-24 Gleadless Road,
Heeley, Sheffield, S2 3AB
Tel: +44 (0) 114 28 122 81
Fax: +44 (0) 114 28 122 77
sales@thermax.co.uk
www.thermax.co.uk

